

HPU HYDRAULIC POWER UNITS



GENERAL INFORMATION

Hydraulic Power Units

At Air Power & Hydraulics Ltd, we manufacture standard hydraulic power units with various flows and pressures. Available on a fast delivery basis, these power units are of high quality and proven design. We also build customised units up to 75kW, from initial design concept through manufacture and testing, to final commissioning. These can provide complete system functions such as manifold mounted valves, electrical controls, safety cut-outs and fully wired up motor starters.

In the smaller range of units with submerged pumps, the PHU and PHS units operate over a range of flows from 0.35 lpm to 27 lpm. Working pressures up to 280 bar are available with gear pumps, and to 700 bar with piston pumps. Electric motors range from 0.37 to 5.5kW. All units in these ranges are supplied complete with reservoir, suction strainer, filler breather, level indicator, adjustable pressure relief valve and on the PHS, a tank mounted return line filter and pressure gauge/isolating valve.

The non-submerged pump units include the DAN, DAN-F and larger special design units. The DAN and DAN-F range all have tank mounted return line filters and pressure gauge isolating valve assemblies as standard. Electric motors range from 5.5 to 30 kW, with flows from 20 lpm to 66 lpm. These power packs can be designed to accept additional valves and sophisticated controls to suit customer specific requirements.

All of the above products can be offered as compact motor/pump assemblies, with the same choice of flows and pressures as are available in the standard range of power units.

Prime movers can be supplied for special voltages, hazardous location and fully flame-proof electric motors. Air motors and internal combustion engines are also available as prime movers.

HPU HYDRAULIC POWER UNITS

SPECIFICATIONS

MODEL Ref	MOTOR		FLOW		PRESSURE		TANK CAPACITY	
	kW	hp	lpm	igpm	bar	psi	LITRES	GALS
PHU 80*	1.1	1.5	4	0.87	140	2030	28	6
PHU 80-15*	1.5	2	4	0.87	190	2750	28	6
PHU 15*	1.1	1.5	7.2	1.57	75	1100	28	6
PHU 15-15*	1.5	2	7.2	1.57	100	1450	28	6
PHS 90-15-2	2.2	3	14.4	3.14	75	1100	60	12
PHS 100-15	3	4	7.2	1.57	207	3000	60	12
PHS 100-28	3	4	13	2.9	115	1660	60	12
PHS 100-44	3	4	20	4.4	75	1100	60	12
PHS 100-60	3	4	27	6	55	800	60	12
PHS 100-5K	3	4	4.2	0.9	350	5000	60	12
PHS 112-28	4	5.5	13	2.9	155	2250	60	12
PHS 112-44	4	5.5	20	4.4	100	1450	60	12
PHS 112-60	4	5.5	27	6	75	1100	60	12
PHS 112-10K	4	5.5	2.5	0.55	700	10000	60	12
DAN 44-75	5.5	7.5	20	4.4	140	2030	120	25
DAN 44-100	7.5	10	20	4.4	190	2750	120	25
DAN 44-150	11	15	20	4.4	250	3630	120	25
DAN 60-75	5.5	7.5	27	6	105	1500	120	25
DAN 60-100	7.5	10	27	6	140	2030	120	25
DAN 60-150	11	15	27	6	207	3000	120	25
DAN 10-100	7.5	10	42	9.2	85	1230	120	25
DAN-F 10-150	11	15	42	9.2	130	1900	250	60
DAN-F 60-200	15	20	27	6	250	3630	250	60
DAN-F 10-200	15	20	42	9.2	180	2600	250	60
DAN-F 15-200	15	20	66	14.5	115	1660	250	60
DAN-F 15-250	18.5	25	66	14.5	140	2030	250	60

All electric motors are 400 volt 3 phase, 50Hz, 1500rpm as standard, although other voltages, cycles and specifications are available such as Lloyds, DNV, USA, European and Japanese

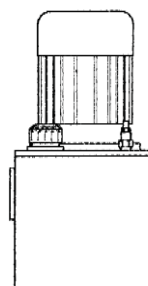
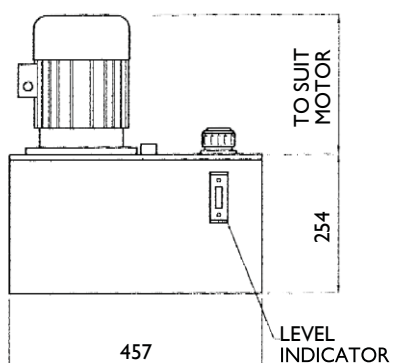
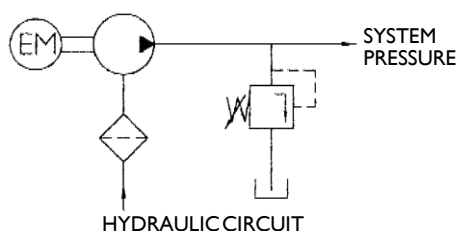
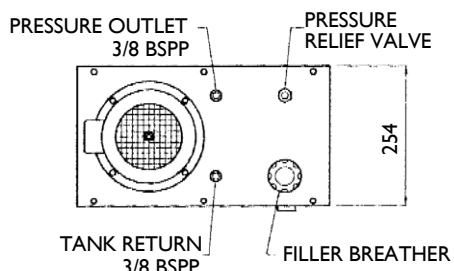
Air motors and flameproof electric motors for zone use can be supplied

Alternative flow/pressure combinations to 700 bar

* Available with 240 volt single phase electric motors at 20% reduction in output pressure

HPU HYDRAULIC POWER UNITS

**28 LITRE RESERVOIR
CAPACITY**



MODEL Ref	MOTOR		FLOW		PRESSURE	
	kW	hp	lpm	igpm	bar	psi
PHU 80	1.1	1.5	4	0.87	140	2030
PHU 80-15	1.5	2	4	0.87	190	2750
PHU 15	1.1	1.5	7.2	1.57	75	1100
PHU 15-15	1.5	2	7.2	1.57	100	1450

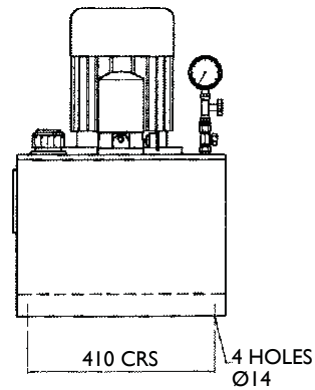
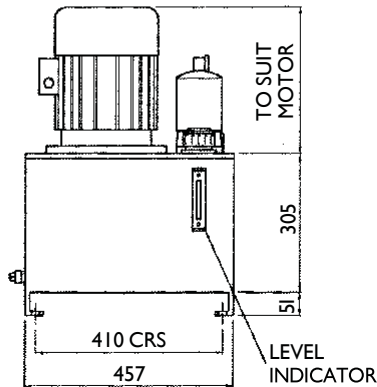
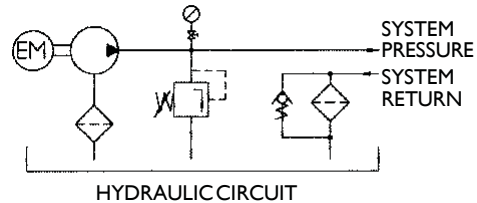
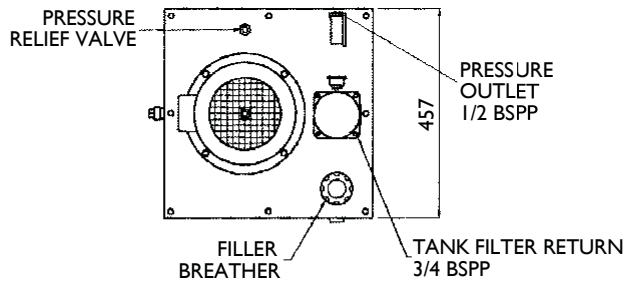
Electric motors: 4 pole 400/3/50Hz IP55 standard

Alternative flow/pressure combinations to 700 bar

All other specifications including Lloyds, DNV, FLP, USA, European and Japanese are also available

HPU HYDRAULIC POWER UNITS

**60 LITRE RESERVOIR
CAPACITY**



MODEL Ref	MOTOR		FLOW		PRESSURE	
	kW	hp	lpm	igpm	bar	psi
PHS 90-15-2	2.2	3	14.4	3.14	75	1100
PHS 100-15	3	4	7.2	1.57	207	3000
PHS 100-28	3	4	13	2.9	115	1660
PHS 100-44	3	4	20	4.4	75	1100
PHS 100-60	3	4	27	6	55	800
PHS 100-5K	3	4	4.2	0.9	350	5000
PHS 112-28	4	5.5	13	2.9	155	2250
PHS 112-44	4	5.5	20	4.4	100	1450
PHS 112-60	4	5.5	27	6	75	1100
PHS 112-10K	4	5.5	2.5	0.55	700	10000

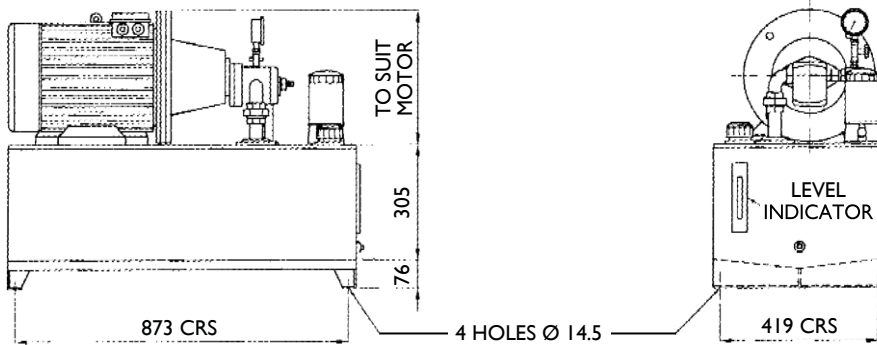
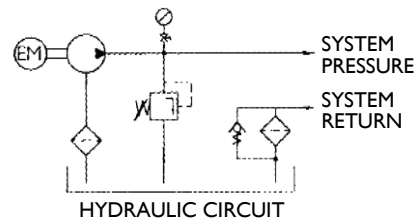
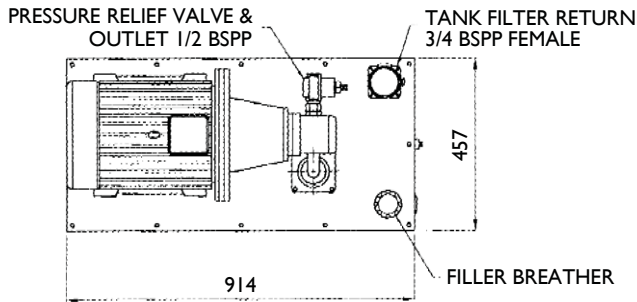
Electric motors: 4 pole 400/3/50Hz IP55 standard

Alternative flow/pressure combinations to 700 bar

All other specifications including Lloyds, DNV, FLP, USA, European and Japanese are also available

**HPU
HYDRAULIC POWER UNITS**

**120 LITRE RESERVOIR
CAPACITY**



MODEL Ref	MOTOR		FLOW		PRESSURE	
	kW	hp	lpm	igpm	bar	psi
DAN 44-75	5.5	7.5	20	4.4	140	2030
DAN 44-100	7.5	10	20	4.4	190	2750
DAN 44-150	11	15	20	4.4	250	3630
DAN 60-75	5.5	7.5	27	6	105	1500
DAN 60-100	7.5	10	27	6	140	2030
DAN 60-150	11	15	27	6	207	3000
DAN 10-100	7.5	10	42	9.2	85	1230

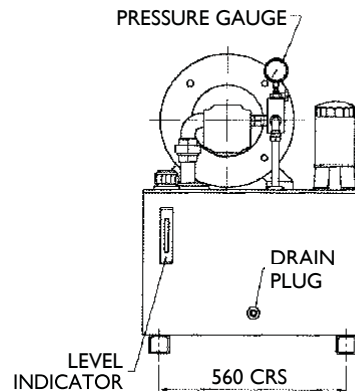
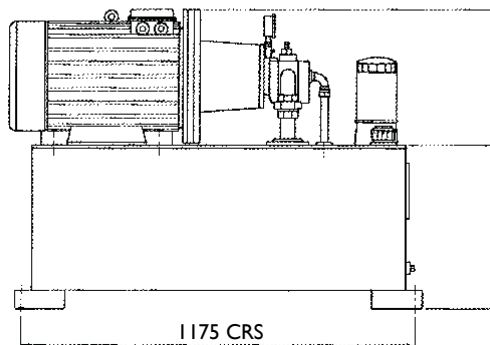
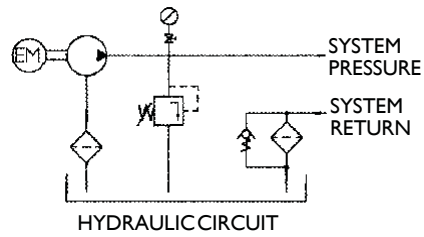
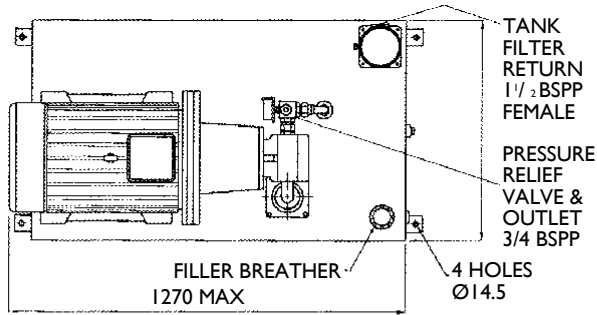
Electric motors: 4 pole 400/3/50Hz IP55 standard

Alternative flow/pressure combinations to 700 bar

All other specifications including Lloyds, DNV, FLP, USA, European and Japanese are also available

**HPU
HYDRAULIC POWER UNITS**

**250 LITRE RESERVOIR
CAPACITY**



MODEL Ref	MOTOR		FLOW		PRESSURE	
	kW	hp	lpm	igpm	bar	psi
DAN-F 10-150	11	15	42	9.2	130	1900
DAN-F 60-200	15	20	27	6	250	3630
DAN-F 10-200	15	20	42	9.2	180	2600
DAN-F 15-200	15	20	66	14.5	115	1660
DAN-F 15-250	18.5	25	66	14.5	140	2030

Electric motors: 4 pole 400/3/50Hz IP55 standard

Alternative flow/pressure combinations to 700 bar

All other specifications including Lloyds, DNV, FLP, USA, European and Japanese are also available